

[www.lpgtech.com](http://www.lpgtech.com)

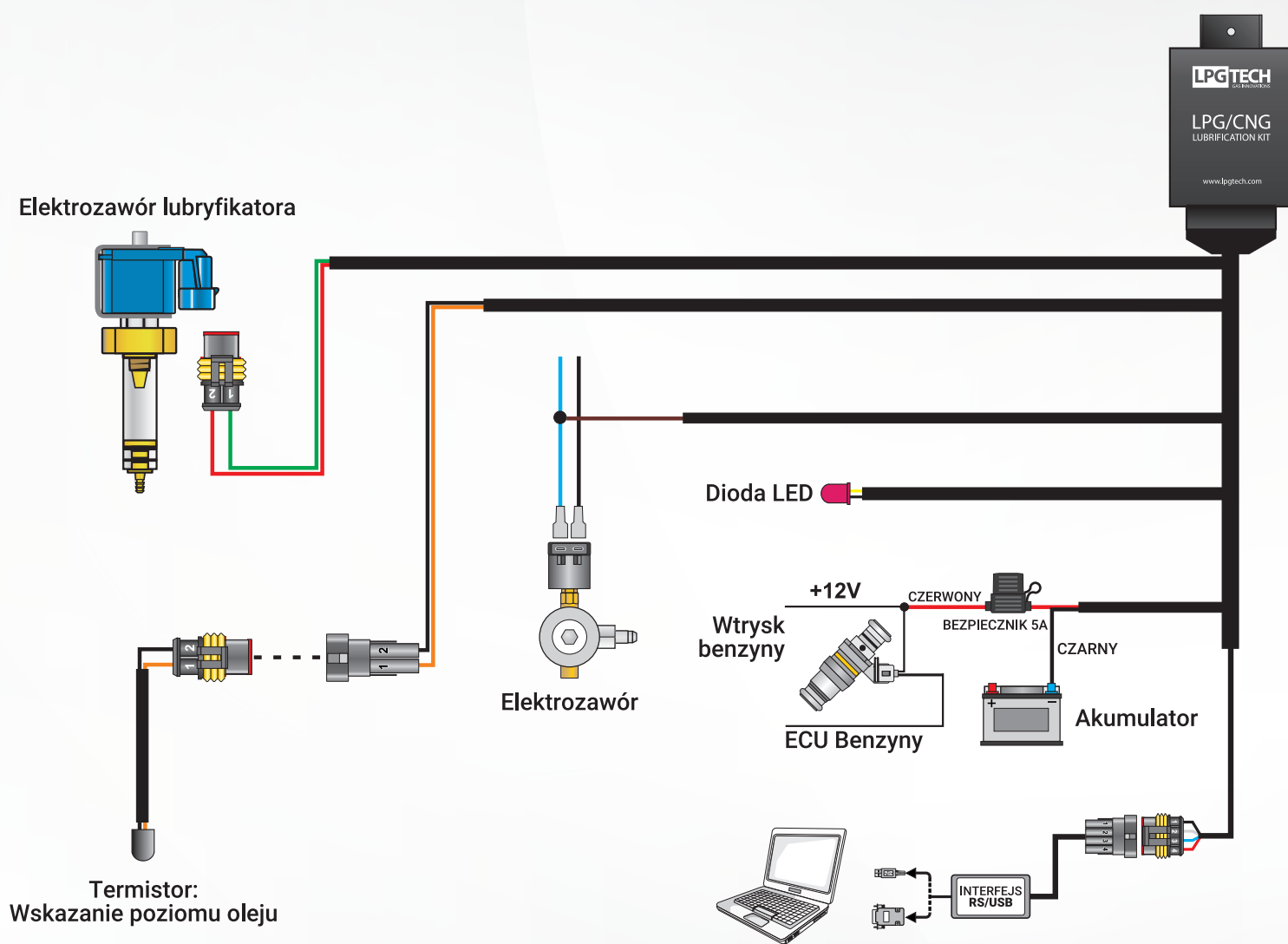


# **LUBRICATOR MANUAL**

## DEVICE DESCRIPTION

Lubricator is a device that provides additional protection for the engine when working on gas. Applying small amounts of lubricant increases the life of the valves. Lubricator is activated by solenoid signal from the gas system.

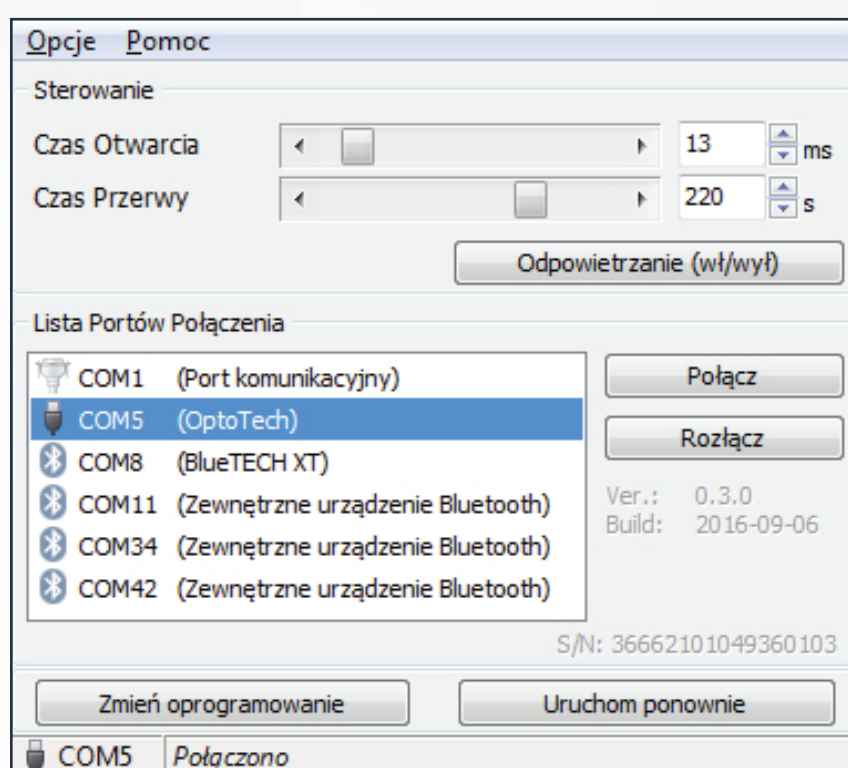
## CONNECTION DIAGRAM



Rys 1. Schemat podłączenia systemu lubryfikacji

## DESCRIPTION:

After proper installation of the lubricator, the interface should be connected and the Lubricator-Tech application should be started. After choosing the appropriate port from the list one should click "connect". On the bottom bar of the application will be shown announcement "connected" and version of installed software. Configuration of the lubricator consist of two parameters (slider at the top of application) - the "Open Time" and the "Break Time". Parameters are responsible for a physical time of the dosage of greasing liquid and a break between next injections. After fill up the container by oil one should to vent the installation by pressing the button "Venting". After removing air from the wires one should again press the button "Venting". From that moment lubrication system is ready to work. The application also enables to exchange the software in lubricator. For that purpose one should press the button "Upload Firmware" and to choose the relevant file. After uploading the software one should press button "Reboot".



Rys 2. Aplikacja Lubryfikator-Tech

Lubryfikator begins his work after switching the car to gas, performing sequential injections, according to settings made in the software. The correct work is being indicated with constant lighting the LED diode. If during work on gas the diode will switch off ,this will mean one of possibilities: empty lubrication container , damage of the level sensor, damage or the lack of the injector.